

# SNAP-IN HOLDER

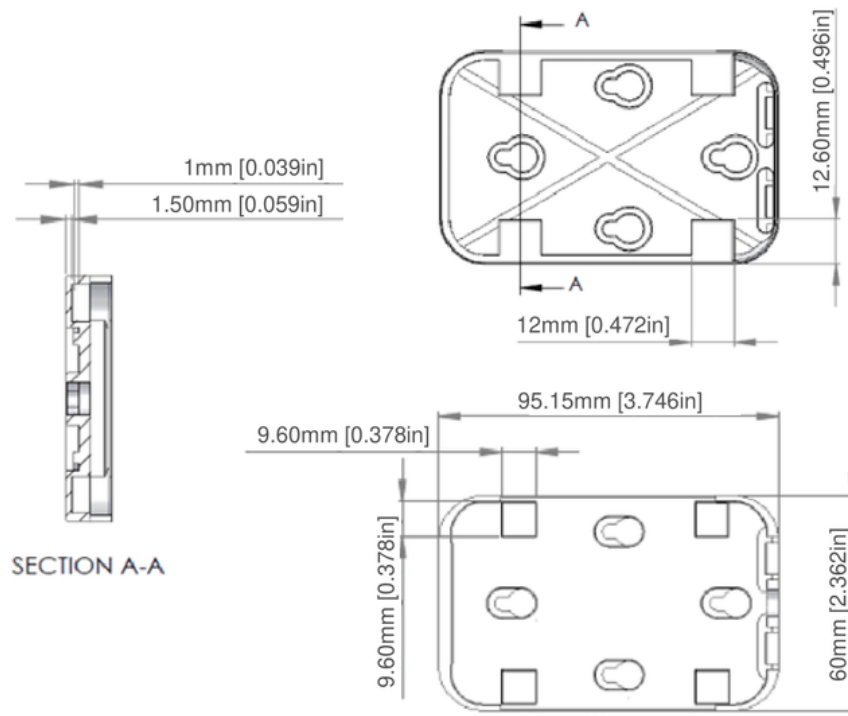
## Mounting Solution for TWN3/4 Desktop Reader



The Snap-In Holder is used to fix Elatec's TWN readers on a flat surface. It is available in white and black color and can be fixed with either adhesive padding (included) or screws (not included).

### Technical Data

#### Dimensions



Material	ABS, color white (RAL9002) or black (RAL9005)
Weight	Approx. 25g
Order code	HKSI-W (white) HKSI-B (black)